

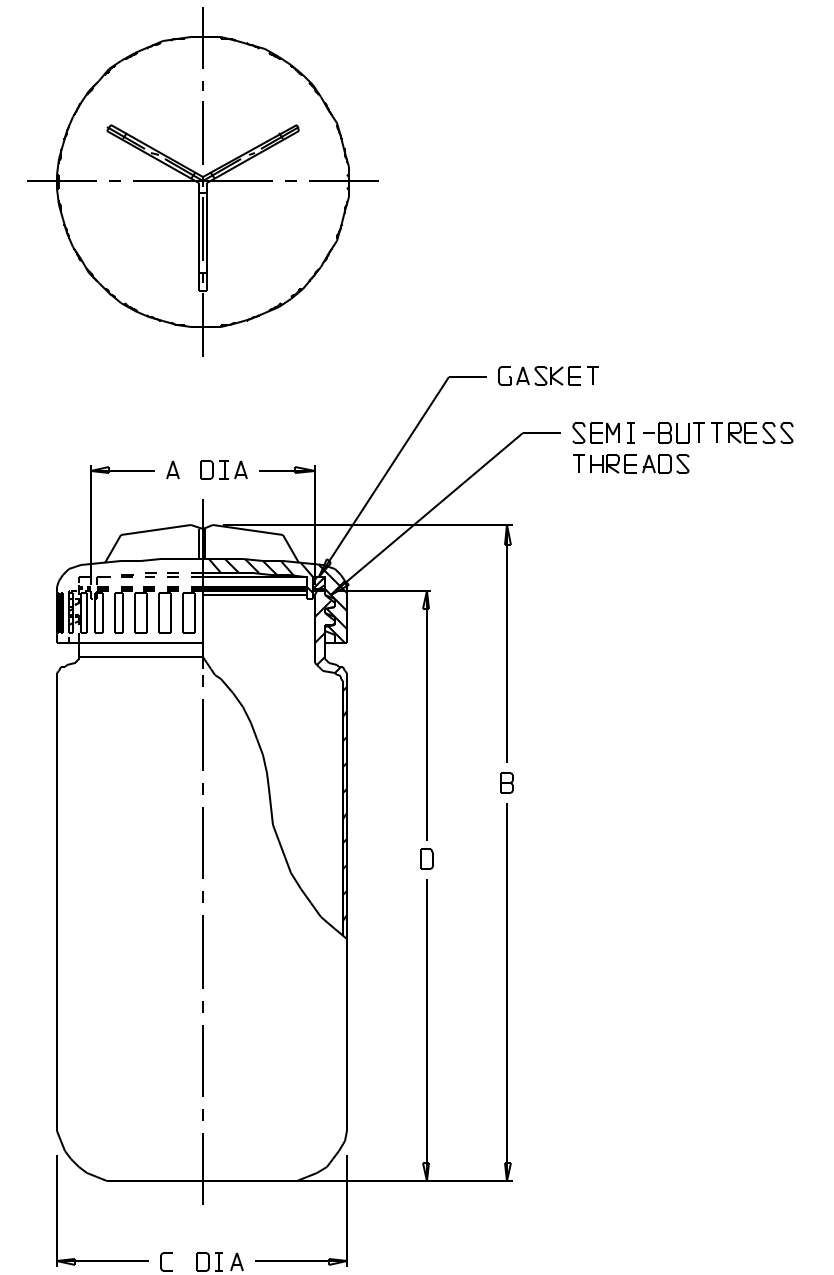
CATALOG NO.	NOMINAL CAPACITY (mL)		MATERIALS		
			BOTTLE	CLOSURE	GASKET
3140	250	450	PC	PP	SILICONE

SIZE CODE.....	-0250*		-0500	
NOM. CAP. (mL).....	250		450	
BRIM CAP. (mL).....	295		450	
WGHT. W/CLOS.(gms)..:	62		88	
CLOSURE SIZE (mm)..:	58		63	
	INCH	MM	INCH	MM
A (NECK I.D.).....	1.83 ±0.02	46.5 ±0.5	2.07 ±0.02	52.6 ±0.5
B (HT. W/CLOSURE)..:	5.29 ±0.06	134.4 ±1.5	6.28 ±0.06	159.5 ±1.5
C (DIA).....	2.432 <sup>+0.000</sup> / <sub>-0.030</sub>	61.77 <sup>+0.00</sup> / <sub>-0.76</sub>	2.735 <sup>+0.000</sup> / <sub>-0.030</sub>	69.47 <sup>+0.00</sup> / <sub>-0.76</sub>
D (HT. W/O CLOSURE):	4.71 ±0.04	119.6 ±1.0	5.68 ±0.05	144.3 ±1.3

\* ESTIMATED SURFACE AREA FOR CLEANING VALIDATION  
 AT BEHRINGWERKE AG IS AS FOLLOWS:  
 TOTAL INSIDE = 38.9in<sup>2</sup>/251 cm<sup>2</sup>  
 TOTAL OUTSIDE = 39.8in<sup>2</sup> /257 cm<sup>2</sup>  
 THIS IS CALCULATED USING BOTTLE ONLY AND ARE  
 ESTIMATES DETERMINED USING CADD APPROXIMATE MODEL.

NOTES:

1. ALL DIMENSIONS ARE NOMINAL AND IN INCHES AND MILLIMETERS UNLESS OTHERWISE NOTED.
2. THIS IS NOT A PRODUCTION DRAWING, BUT IS FOR INFORMATIONAL PURPOSES ONLY, AND IS SUBJECT TO CHANGE WITHOUT NOTICE.



SPECS ON BACK

NOT TO SCALE

CONFIDENTIAL

THIS PRODUCT SPECIFICATION SHEET CONTAINS CONFIDENTIAL AND/OR PROPRIETARY INFORMATION AND IS TO BE USED ONLY FOR THE EXPRESSED PURPOSES AGREED UPON BY AN AUTHORIZED OFFICER OF THERMO FISHER SCIENTIFIC.

**ThermoFisher**  
SCIENTIFIC

Thermo Fisher Scientific  
 75 Panorama Creek Drive  
 Rochester, NY 14625-2385, USA

MADE	JGJ	APP'D	PVC	PSS 00-3140-XXXX-1	REV.	0397
CK'D	PVC		5/26/95			
DESCRIPTION:						
CENTRIFUGE BOTTLES w/SEALING CAP						